

## ABCD Status

- A - Stock item generically marked.
- B - Locally marked in house.
- C - Factory manufactured and marked.
- D - Price and delivery on application (long lead item).

## Seal applications

- |                 |                     |
|-----------------|---------------------|
| Pouches         | Zippered money bags |
| Electric meters | Carts               |
| ATM cassettes   | Suitcases           |
| Tool boxes      |                     |

## Features

- Easy to close, one handed operation.
- Polypropylene body will bluish if tampered with.
- Quick and easy removal (tool free).
- Available with slit donut/stringing hole.
- Available in other shaft lengths, duelled presentation or economy versions.

## Dimensions

- 1.54" (39mm) x 1" (25mm)
- Full drawing on Sheet 2

## Available Colours



- Stock colours: Red / Yellow / Blue
- Custom: Green / Grey / Black / White / Dark Green (min. of 20M)

## Marking/print

- Hotfoil, heat stamped company name (12 digits).
- and serial number (7 digits).

## Strength

- Average pull apart force is 8lbs (3.5 kg)

## Part Numbers

- 6300000-X – Heat stamped, custom numbered
- 6302000-X – Heat stamped w/ slit donut, custom numbered
- 6300500-X – Long shaft, heat stamped, custom numbered
- 6302500-X – Long shaft, heat stamped w/ slit donut, custom numbered
- 6300200-X – Dual use, heat stamped, custom numbered
- 6302200-X – Dual use, heat stamped w/ slit donut, custom numbered
- 6380000-3 – Economy, moulded with logo only, blue
- 6309999-4 – 4" (102mm) stringing ring
- 6309999-6 – 6" (152mm) stringing ring
- Note: X denotes colour selection

The Spring-Lok is a self-locking, tamper indicative plastic security seal with a unique hinge design.



020•1•1 Spring-Lok

**ABCD Status**

- A - Stock item generically marked
- B - Locally marked in house.
- C - Factory manufactured and marked
- D - Price and delivery on application (long lead item)

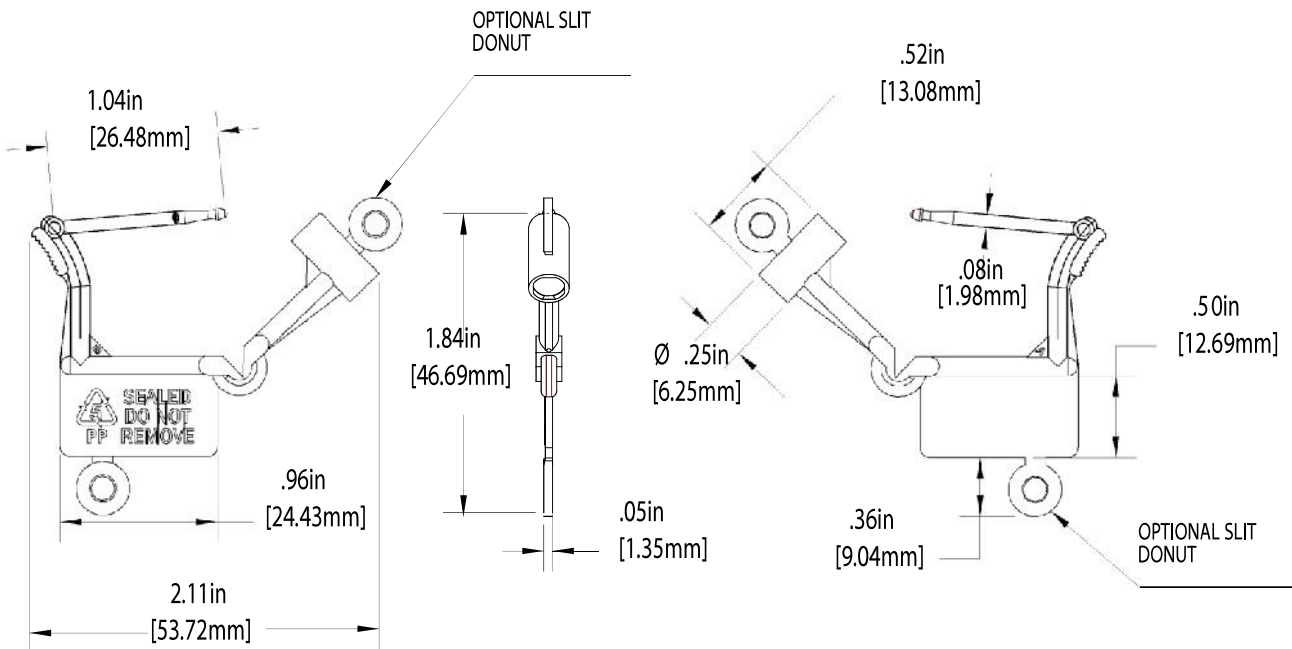
**Packing**

Standard Packaging: 1,000/Box – 5,000/Carton  
 Carton Dimensions: 28" x 15" x 10" (71cm x 38cm x 25cm)  
 Carton Weight: Gross: 21 lbs (10 kg) Net: 16 lbs (7 kg)

**Special packaging:**

50/Polybag – 2,500/Carton  
 100/Polybag – 2,500/Carton.

The Spring-Lok is a self-locking, tamper indicative plastic security seal with a unique hinge design.



**Spring-Lok Padlock Seal**

020•2•1\_Spring-Lok

Tyden Brammall of Scandinavia  
 Fragtsikkerheds Eksperten  
 Stolpegårdsvej 7  
 DK 2820 Gentofte



**MARKITWISE**  
 Tamper evident self adhesive seals from TydenBrooks

+45 39 68 26 34  
 +45 24 21 34 40  
 tyden@tyden.dk